

ORION®

INSTRUCTION MANUAL

ENGLISH ENG

STEAMER-BLENDER MODEL: OB08



Dear customers! Thank you for purchasing ORION products. Before operation, please read this instruction manual. Save it for future reference.

Every day parents make choices to ensure the best for their children. Choosing steamer-blender ORION OB08 – is the best choice! This product is a guarantee of quality and safety for your child! It has been designed to make your life as a parent a little easier. ORION OB08 will easily cook and stir food like fruits, vegetables, meat into mashed food. It is easy to use. We guarantee the quality and safety of this product!

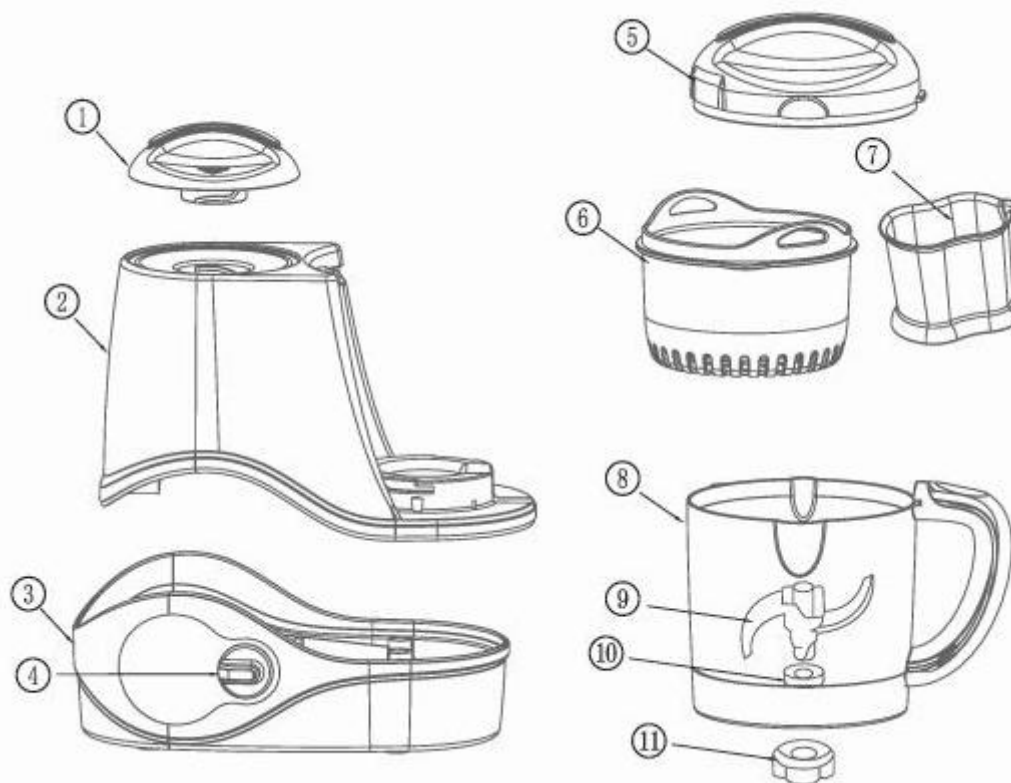
SAFETY MEASURES

1. Read this instruction manual before using the appliance.
2. Check if the voltage that is indicated on the appliance corresponds to the local mains voltage before you connect the appliance.
3. If the mains cord is damaged, an authorized service center or similarly qualified persons must replace it in order to avoid a hazard.
4. This device must not be used by children or persons with diminished mental, physical or sensorial capacities, unless said people have received specific assistance or instruction for using the device by a person responsible for their safety who is fully aware of the dangers involved.
5. Check that the device is in perfect working order before every use. The device must not be used if: the power cable appears damaged, the device is visibly damaged, or the device has been dropped, in the event of any of the above, have the device checked by an expert or the customer service.
6. Do not use extension leads.
7. Use the device only for the purposes for which it is intended.
8. Do not expose the appliance to extreme heat or direct sunlight.
9. Never disassemble the appliance to avoid the risk of electric shock.
10. Do not immerse the base, the cord or the plug in water or any other liquid.
11. Always let the appliance cool down before moving or storing it.
12. Always place and use the appliance on a dry, stable, level and horizontal surface.
13. Do not place the appliance on a hot surface or in a heated oven.
14. Keep the appliance out of the reach of children.
15. Do not let the mains cord hang over the edge of the table or worktop on which the appliance stands.
16. Always pour any remaining water out of the appliance after use.
17. Test food on the back of your hand before serving it, to ensure that it is at a safe temperature for your baby.
18. Always unplug the appliance after use.
19. Never place items on top of the appliance when it is in use.
20. Unplug when not in use.
21. Do not dismantle it by yourself.
22. Save this instruction manual for future reference.

CHARACTERISTICS

- Steam cooking
- No damage to vitamins
- Food blending
- Stainless steel knives
- Auto off
- Modern design
- Convenient, easy to use and safe, easy to clean
- Nominal voltage: ~ AS230V 50Hz
- Nominal power: 290W
- Nominal current: 1.26A
- Electric shock protection class: I
- Humidity protection degree: IPX0
- Box size: 295*150*240mm
- Net/Gross Weight: 1.9kg/2.12kg
- Product color: white/blue

PARTS



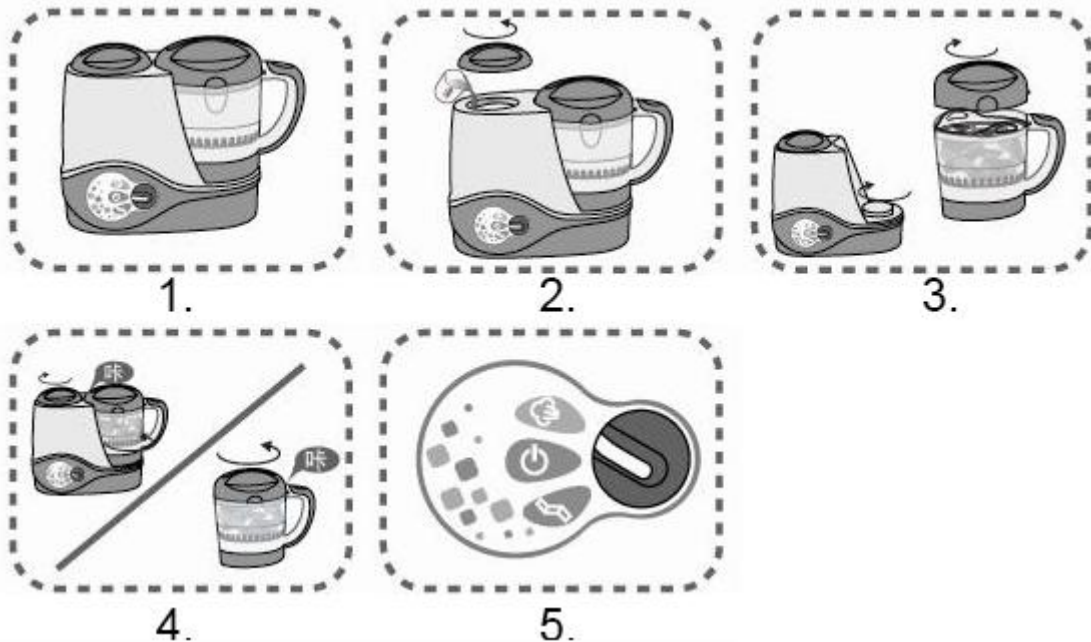
1. Small lid
2. Steaming mug
3. Base
4. Knob
5. Big lid
6. Internal bottle

7. Measuring bottle
8. Food bottle
9. Knives
10. Seal ring
11. Knife base

INSTRUCTION FOR USE

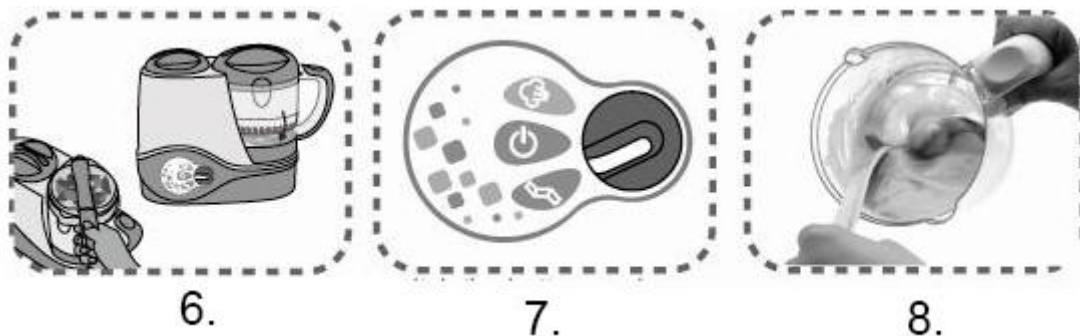
Operating process

1. Please clean the product before using.
2. Uncover the lid anticlockwise and pour 180ml water into the internal bottle(the volume of the steam mug is 200ml)
3. Take the food bottle clockwise, uncover the big lid and put the food slice into the food bottle(It is easy to braise the food slices)
4. Cover the big lid and heard two “click” sounds after putting the food bottle on the base
5. Connect the power supply, revolve the switch, start to braise
6. After the food is properly braised, please transfer it from the internal plastic basket to the food bottle.(put pure water in 3:1)
7. Switch the button, make the preparer blend the food.
8. Put the mashed food into the bowl and eat it.



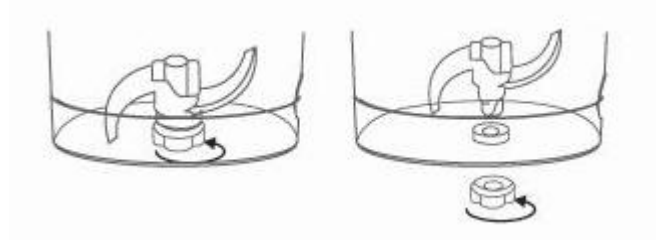
Blending

1. In order to take good control of blending the food, our product operates manual blending. When revolve the button to blending state, the product starts to work; without manual operation, the switch returns to “off” state automatically and finishes working(This is not damage of product)
2. The max blending time is 60 seconds. After 60 seconds, the product is off electricity automatically to protect itself. At this moment please release your hold of the button, wait for the resetting of the button and revolve the button again to continue blending.



CARE AND CLEAN

1. Please wash the food bottle, internal bottle, big lid & small lid with soft cloth and dry it with clean cloth or napkin.
2. Please clean the barrel body (electric part) with damp cloth; Please don't immerse it into the water.
3. Please have better use the pure water to avoid too much scale. If the scale comes into being, give it a good soak with acetic acid or scale cleaner and wash it after the scale coming off.
4. Disassemble the blending bottle according to the following pictures when cleaning



PACKAGE CONTENTS

1. Steamer-blender 1 pc
2. Instruction manual 1 pc
3. Warranty card 1pc

Note: DOES NOT CONTAIN HAZARDOUS SUBSTANCES

Subject to change without notice

Extra information you can find on ORION company web-site www.orion.ua

If you have any questions or suggestions, contact us by E-mail support@orion.ua

Manufacturer: Orion China Ltd., 1733 Lianhua St., apt. 506-509, Shanghai, People's Republic of China, 201103

Made to order: Orion Electronics Ltd. (Hungary)

