

ORION®

INSTRUCTION MANUAL

GARMENT STEAMER
Model: OGSC001

ENGLISH

GB



Dear Customers, Thank you for buying ORION products!

Welcome to use!

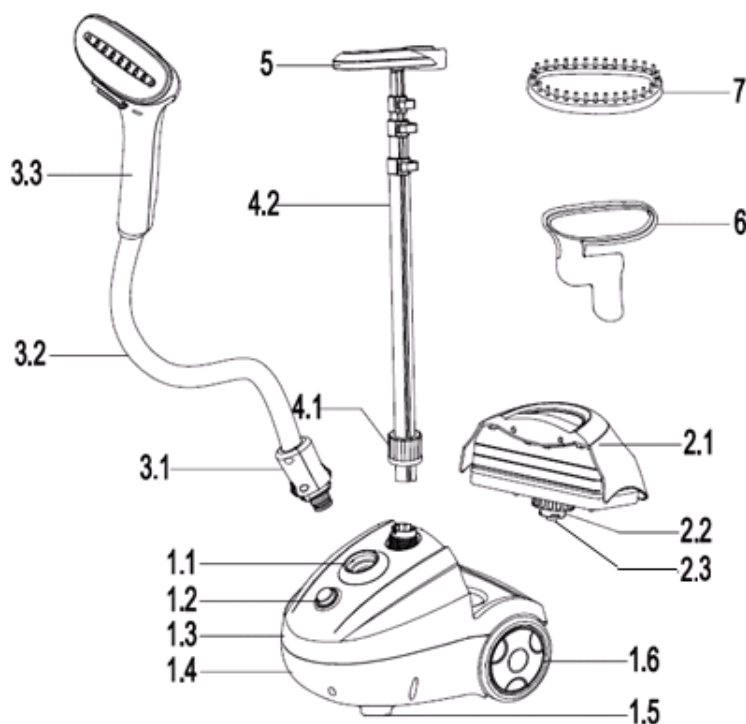
Read the instructions for use carefully before using the appliance and save them for future reference.

IMPORTANT SAFETY INSTRUCTIONS

1. When using your appliance, basic precautions should always be followed, including the following:
2. Read all instructions before use.
3. Use appliance for its intended use only.
4. This product has been designed for domestic use only.
5. Any commercial use, inappropriate use or failure to comply with the instructions, the manufacturer accepts no responsibility and the guarantee will not apply.
6. This appliance is not designed to be used by people (including children) with a physical, sensory or mental impairment, or people without knowledge or experience, unless they are supervised or given prior instructions concerning the use of the appliance by someone responsible for their safety.
7. Children must be supervised to ensure that they do not play with the appliance.
8. Do not leave appliance unattended while plugged in or while it is still hot.
9. Do not operate any appliance with a damaged cord, plug or steam hose or after the appliance malfunctions, or is dropped or damaged in any manner.
10. To reduce the risk of electric shock, do not disassemble or attempt to repair the appliance. Return appliance to nearest authorized service center for examination, repair or adjustment.
11. To reduce the risk of contact with hot water emitting from steam vents, check appliance before each use by holding it away from your body and operating.
12. Steam only in an up and down vertical motion. Never use steam head in a horizontal position or tilt into a backward position, this may result in water discharge.
13. To reduce the risk of electric shock, do not immerse the appliance in water or other liquids.
14. Appliance should always be turned off before plugging or unplugging.
15. Never pull on the cord to unplug from outlet, instead grasp plug and pull to unplug.
16. Do not allow cord to touch hot surfaces.
17. Let appliance cool completely before putting away. Loop cord loosely under the appliance when storing.
18. Do not let power cord contact sharp edges or hot surfaces.
19. Do not try to fasten the hose adapter during operation. Scalding may occur if the hose adapter is removed while using the appliance.
20. Always unplug appliance from an electrical outlet when filling with water, emptying or when not in use.
21. Do not attempt to hang up the unit using the hose.
22. The use of foreign accessory attachments that are not supplied is not recommended and may result in fire, electric shock or personal injury.
23. Burns could occur from touching hot parts, hot water or steam. Use care when you empty a steam appliance. There may be hot water in the reservoir.
24. Do not direct steam at people, animals or steam clothes while they are being worn.
25. Your appliance is intended for household use only.
26. This is a floor appliance never carry it while in use.

DETAILS

- 1.1 Steam tube fixation
- 1.2. Switch
- 1.3 Upper housing
- 1.4 Lower housing
- 1.5 Rubber foot
- 1.6 Wheel
- 2.1 Tank handle
- 2.2 Tank
- 2.3 Tank knob
- 3.1 Steam tube head
- 3.2 Steam tube
- 3.3 Handle
- 4.1 Bracket pole set
- 4.2 Up and down pole
- 5. Bracket head
- 6. Steam press board
- 7. Brush accessories



CHARACTERISTICS

- Garment steamer
- Rated voltage: 230V
- Rated frequency: 50/60Hz
- Output power: 1600W
- Continue and big steam rate
- Steam flow: 40g/min
- Continued steam time: 60min
- Output steam temperature: 98°C
- Capacity: 1.5L
- Max length of lever: 130 cm
- Min length of lever: 50 cm
- Pressure supported by the vertical lever: 1Kg
- Steam pipe length: 1.7 m
- Removable wheels
- Power light indicator and steam light indicator
- Self-clean function
- Accessories: fabric brush, for brush, crease attachment, Clothes hanger
- Protection against electric shock: Class I
- Net/Gross weight: 4.1/5.2kg
- Product size: 320*242*223mm
- Gift Box Size: 466*305*303mm
- Color: white and blue

INSTALLATION

- Pls read the instruction carefully.
- Remove all the package.

- Do not power on or open before finish the install.
- Appliance knock down assembly picture, Fig. 1
- Put the telescopic pole insert the base. Fig. 2
- Make sure the knob tight after insert the body. Fig. 3.
- Open the telescopic buckle, pull the Aluminum pole. Fig .4
- Keep the buckle tight. Fig .5
- Put the steam tube tie-in insert the hole. Fig.6
- Put the steam brush on the brush fix base. Fig.7

HOW TO USE

- Fill the water from the water filled cover, open the cover of water tank, fill the water into water tank. Fig.8, Fig.8.
- Do not fill hot water.
- Close the water tank cover, put the water tank on the body. Fig. 10, Fig .11.
- Pull the power cord, socket on, open the power switch. Fig .12, Fig.13.
- After around one minute ,steam indicate lamp on, (please notice the indicator)
- Hold steam brush and made the steam pole out of body, use steam brush touch the cloth vertically gently start ironing, Fig .14, from upside to downside.
- During operate, steam tube will be some sound of water flow, this is normal. When heard this sound, pull the tube upside, made the bead back to boiler.
- In order to extend the appliance life, after operating, dump the water inside the water tank, make the appliance dry working 5 minutes, make the boiler dry, power off when without steam. – Fig.22

ACCESSORIES INSTRUCTION

Remind: When use the accessories, only can use at vertical direction, please don't iron at horizon direction.

Before using the accessories, please read the instruction manual, first use, suggest test with some old or waste cloth.

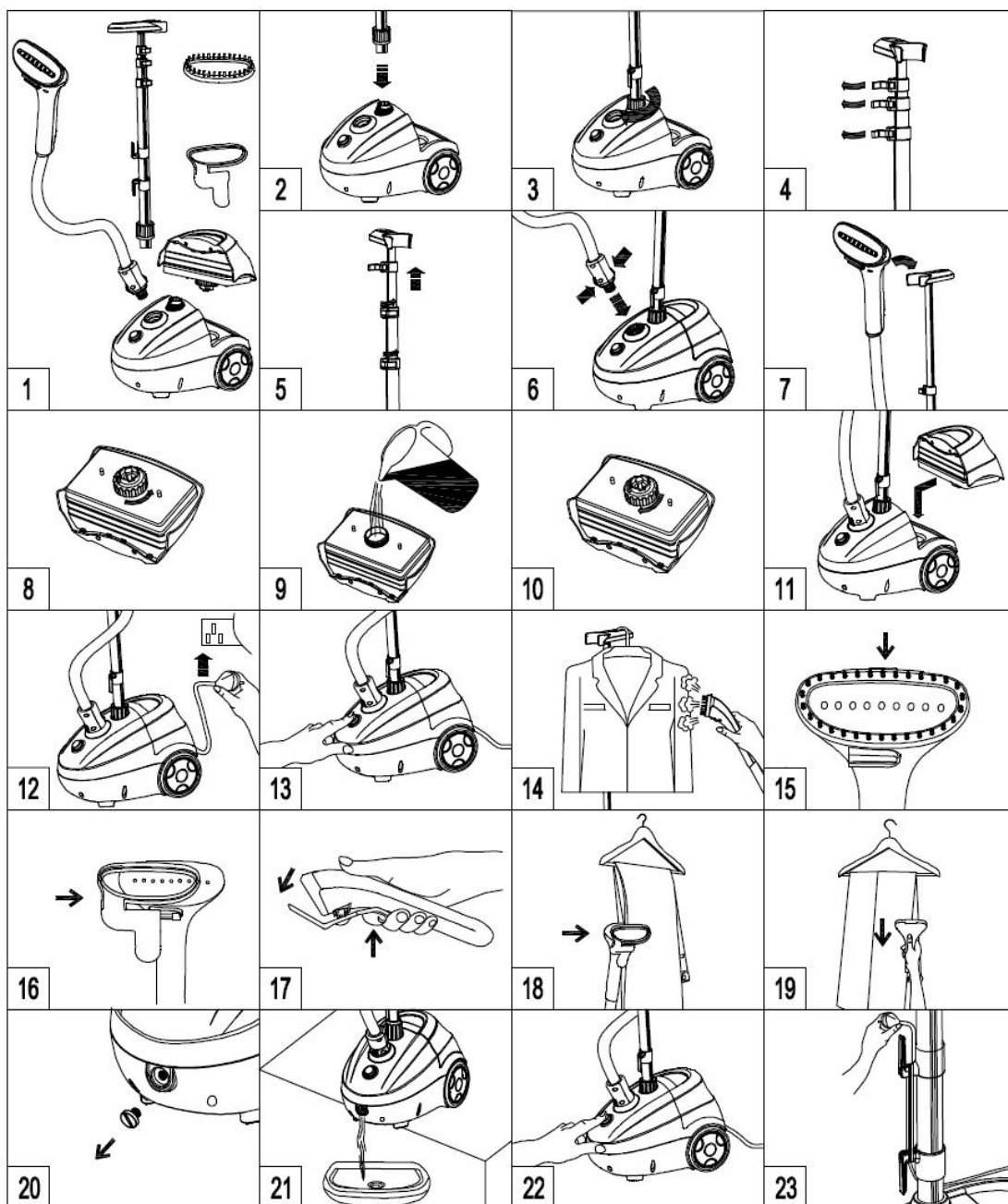
Brush:

- Use brush can make the steam infiltrate cloth, make good iron effect.- Fig.15
- Remind: install brush make the steam brush cool.
- When install brush, make steam brush panel upside, push brush accessories gently, make the buckle tightly.
- When ironing, should be from top to end.
- Before remove the brush, please power off the power control switch, when there is no steam from the steam brush, remove the brush, please note do not touch the stainless steel panel, avoid scald hand.

Iron splint:

- Splint can help iron hem and cockle easily.
- Install the splint on the steam brush, push it tightly to its position.- Fig. 16
- Hold the steam brush, open the splint. – Fig.17
- Put the cloth between splint and steam brush. – Fig.18
- Release handle, made it clamp cloth, ironing from upside to downside. – Fig.19

Before remove splint, please power off the power control switch, when there is no steam from the steam brush, remove the brush, please note do not touch the stainless steel panel, avoid scald hand.



STORAGE

- After using, remove the water tank from the body, dump the water in the water tank.
- Make the appliance dry working 5 minutes. Make the boiler dry.
- Power off the power switch,(power indicate lame will be off),remove the power cord,press the cord rewind button, rewind the power cord into the body.
- Warning:pls do not touch the steam bursh before it cooling, make the boiler dry before storage.

CLEANING

Please use a wet rag clean the body. Inorder to make your product always have a good capability,clean the scale untiming, the period depend on the using period.Water tank at least once per year, or once per 100 hours. The process for clean the scale is as below:

- Remove the water tank, wash the scale at water base with clean water.

- Open the water tank base knob,dump mixture in the water tank, wash with clean water.
- After clean the scale,if you think there is still scale,please repeat the above procees.

Please use a coin or the similar tool to switch on the waterspout.Then turn on the switch and heating for three minutes.Next put the water tank on the appliance,and the water will flow into the heating soleplate.The scale will flow out with the water.Pls be careful of the water. After clean the scale, if you think there is still scale,please repeat the above procees. – Fig.20, Fig.21

TROUBLE SHOOTING

Problem	Cause	Solution
The security device does not work.	One of the circuits has fault, the plug is loose, the fuse burned, the LED of supply source is extinguished.	Check and maintain by specialized technician
A noise originates pipe of steam but the produced steam is weak.	The pipe is twisted below level to iron.	Raise the steam pipe (residual water in top returns into the device).
Spray head is leaked	The head is broken, or the ironing is vertical.	Replace the spray head. Move from top down to operate.
Hooking connection of steam pipe is leaked.	The cushion can be damaged itself with the aging, the junction interface loosen itself.	Replace the cushion. Rotate the junction of steam pipe tightly.
Water spilled out water tank	Water tank is broken or has a hole	Replace the water tank
Steam is weak	The power source is lower or deposits can obstruct the arrival pipe.	Add a stabilizer of power source. Use a cleaning respecting the environment.
Water tank is in distortion	Over heated water is put. Or other chemical element is put	Continue to use. Replace the water tank
No steam but the indicator is lighted	The steam creator is broken. The internal electric component is broken.	Call a specialized technician to do an examination

Subject to change without notice
 Extra information on ORION company web-site www.orion.ua
 We take your opinion and offers by E-mail support@orion.ua